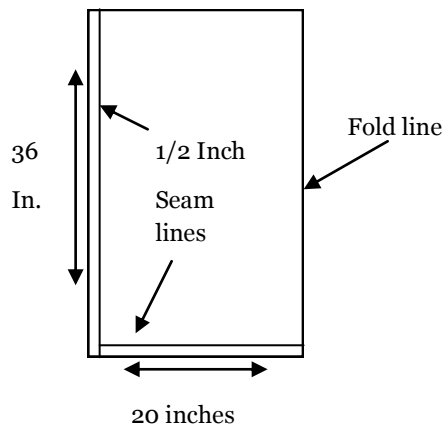


MATERIALS NEEDED: APPROXIMATELY 1-1/2 YARDS - DURABLE COTTON FABRIC – PRESHRUNK; THREAD, AND APPROXIMATELY 60” OF DRAWSTRING – CORDING, SHOESTRING, CROCHETED CORDING, ETC.

Bag:

Cut one piece of fabric 36” Long by 40” wide
 Fold piece in half right sides together so it’s 20” Wide.
 Sew a 1/2” seam across the bottom (20”).
 Sew a 1/2” seam up the side (36”).



To Box the bottom of the Bag: starting on the seam side -make a triangle of the corner and draw a line 3” from the tip and sew on the line across the triangle.

Do the same on the other side coming down the same distance and draw a line across and sew on the line.

Turn the bag right side out.

The rectangle of the bottom of the bag should measure approximately 14” X 5-1/2”.

Here is an example (pictures included) on Boxing a Bottom of a bag:

<http://craftapple.wordpress.com/2007/09/01/sewing-tip-squarely-boxing-those-corners/>

You might want to look at this website if you don’t understand the directions above for Boxing the Bottom of the Bag.

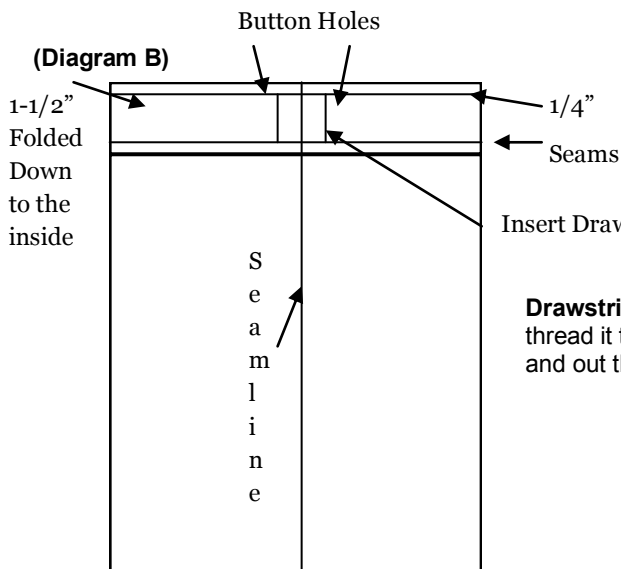
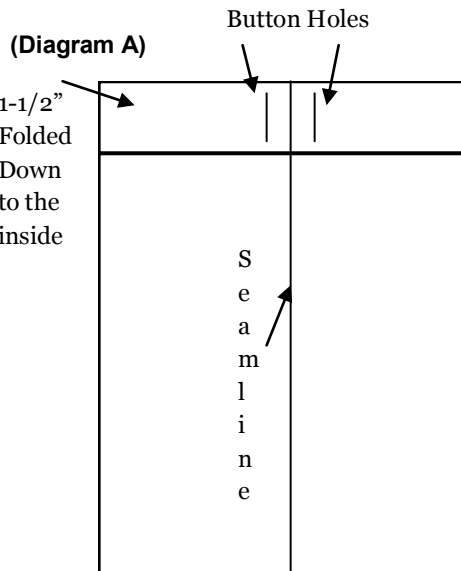
Finishing the Opening of the Bag for a Drawstring:

Turn the Bag right side out.

Fold the top of the bag down 1-1/2” towards the inside of the bag and press. Then make a button hole on each side of the seam (approximately 1/2” to 1” from the seam) on the folded down part. Take a seam ripper and open the button holes. (Diagram A)

Fold the top down another 1-1/2” towards the inside of the bag and press. Sew a straight seam around the folded down portion approximately 1/4” from the top and 1/4” from the bottom of the folded down part. This forms the channel that a drawstring will go through.

(Diagram B)



Drawstring. Cut a 60” (approximately) piece of cording or shoestring and thread it through the button hole and pull through the inside of the top piece and out the other button hole. Tie the two ends of the drawstring together.

Handle:

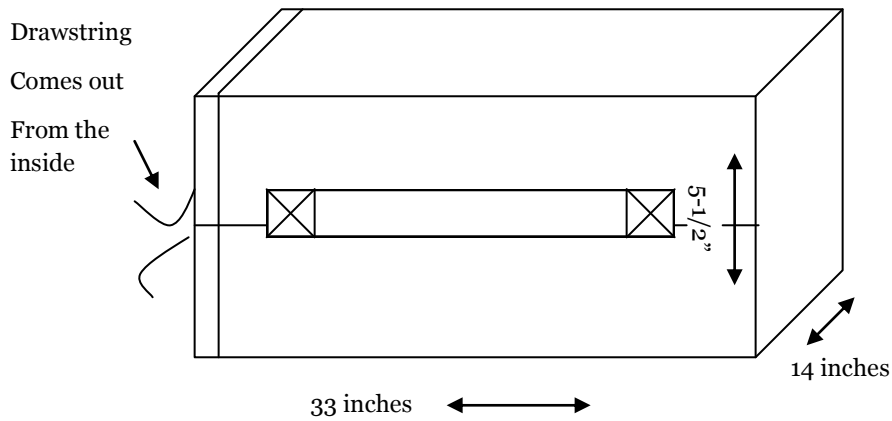
Cut one piece of fabric 5" wide X 24" long.

Fold right side together lengthwise. Sew a 1/2 seam down the length of the fabric.

Turn right side out and press the handle flat.

Turn each end in approximately 1" and press flat.

Position the Handle on the outside of the bag 5-6" from the bottom of the bag on the short side of the boxed side. Sew a square reinforcement with an x in the center of one side of the handle and the same on the other end of the handle.



Finished Bag is approximately:

33" X 14" X 5-1/2"

Although the bag shape above is not proportionately correct, I hope you get the idea.